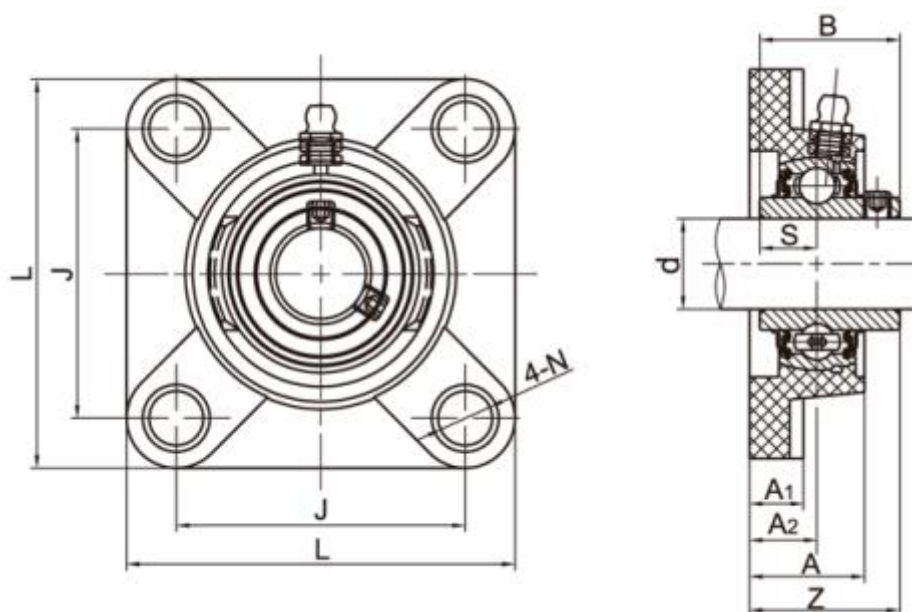


Article number: 54810632062

Description: 4 hole Flange Unit TP-SUCF206 for shaft $\varnothing 30\text{mm}$
Insert stainless steel, housing Thermoplastic white

Measures



A = 31.5	N = 11
A1 = 14.3	S = 15.9
A2 = 19.2	Z = 41.4
B = 38.1	
Bolt = M10	
d = 30	
J = 83	
L = 108	